

APPLICATION DATA

BELT WIDTHS THROUGH 54"

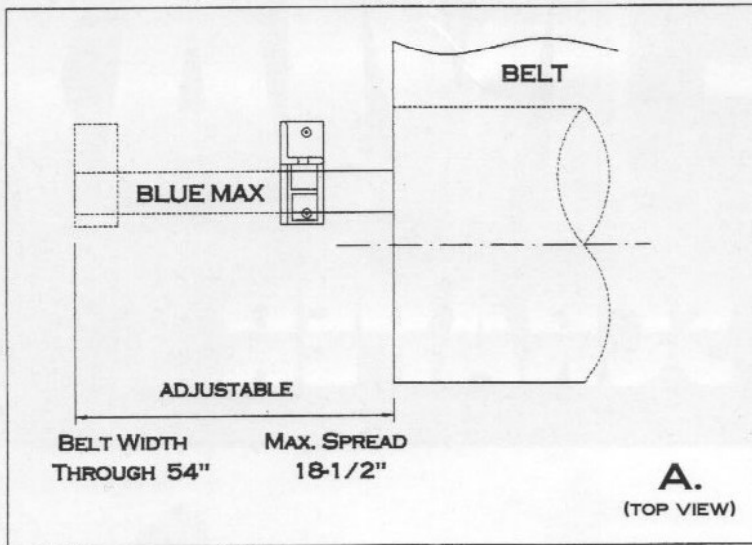
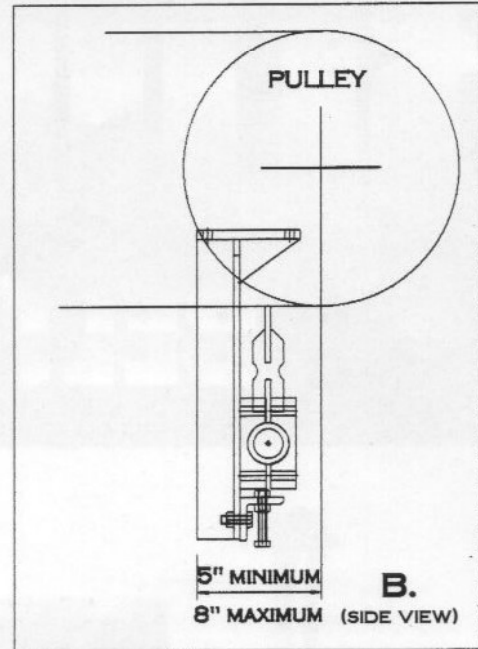


Figure A: Note mounting bracket base is 2 1/2" X 8" with two 1/2" mounting bolts on 4 3/4" centers. **Figure B:** Note vertical dimension of mounting bracket is 18" with overall horizontal dimensions of 6 1/2".



BELT WIDTHS 60" AND WIDER

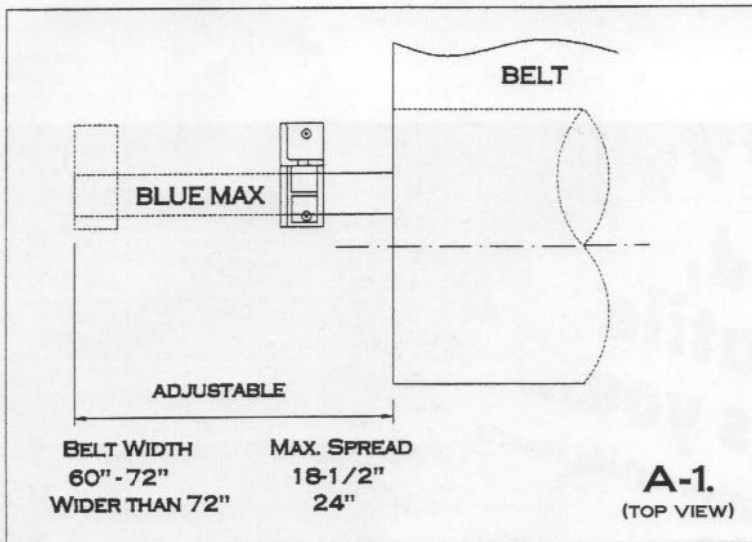
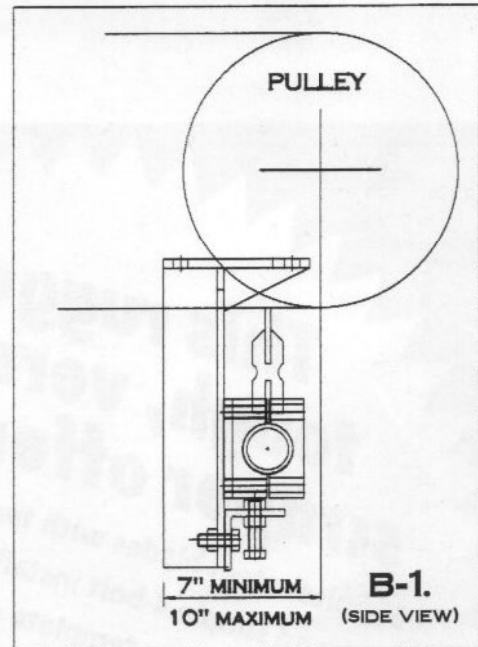


Figure A-1: Note mounting bracket base is 3 1/2" X 8 1/2" with two 3/4" mounting bolts on 6 1/2" centers. **Figure B-1:** Note vertical dimension of mounting bracket is 18" with overall horizontal dimensions of 8 1/2".



WARNING!
Do not install, adjust or
replace blades while conveyer
belt is in operation.
Not recommended for use
with finished food
products.



E-Mail: cabin.creek@worldnet.att.net

Cabin Creek Inc
Triadelphia WV 26059-0272
For more information call toll-free:
PHONE (888) 711-0123
FAX (888) 547-5365